

Symposium™ Interactive Lectern

Specifications – Model MP250

Physical Specifications

Size	Lectern	39" W × 41 3/4" H × 27 7/16" D (99.1 cm × 106.0 cm × 69.7 cm)
	Interactive Screen	15" (38.1 cm) diagonal
	Working Surface	18" W × 19" D (45.7 cm × 48.3 cm)
	Rack Mounted Shelves	17 1/2" W × 14 1/2" D (44.5 cm × 36.8 cm)
	Computer Storage Area	10" W × 15 3/4" H (min.) to 22 1/8" H (max.) × 22" D (25.4 cm × 40.0 cm to 56.2 cm × 49.5 cm). When you supply an internal computer for the MP250, you must consider the space required for airflow around your computer and for the cables you will connect. To ensure adequate airflow, you need at least 1" (2.5 cm) of clearance on the top, front and sides of your computer, as well as at least 3" (7.6 cm) of clearance for the computer's fan output. You also need at least 3" (7.6 cm) of space for the cable connections. For example, if your computer's fan and cable connections are at the back, your computer should be no bigger than 8" W × 19" H × 18" D (20.3 cm × 48.3 cm × 45.7 cm). If your computer's fan or cable connections are located elsewhere, reduce the space available in that location accordingly.
Weight	Lectern	220 lb. (99.8 kg)
Shipping Size		43 1/2" W × 50 1/2" H × 31 1/2" D (110.5 cm × 128.3 cm × 80.0 cm)
Shipping Weight	Lectern and Carton	287 lb. (130.2 kg)

All dimensions +/- 1/8" (3.2 mm). All weights +/- 2 lb. (0.9 kg).

Standard Lectern Features

Software		SMART Board™ software and Notebook™ software. Free software upgrades available at www.smarttech.com/support/software/index.asp .
Lectern Finishes		Melamine-surfaced wood composite construction. Standard finishes: light wood grain (American natural), blue or grey.
Privacy Shield		6 3/8" (16.2 cm) high privacy shield that hides the working surface from the audience
Task Lighting		A convenient F20T4, 20 Watt, 120V AC task light with its own on/off button
Portability		Roll-about, self-contained unit with four locking casters
Rack Mount Storage		Two standard 19" W (48.3 cm) 2U rack mount shelves are included with available space for six more 1U rack mount units
Security		Lockable doors
Power	Input Voltage	120V AC 60 Hz
	Power Consumption	NOTE: Internal power is calibrated for U.S. and Canada only 20 Watts for the console and 125 Watts, or less, for other electronics inside the lectern. This estimate does not include the internal computer, guest computer and other optional components such as a VCR/DVD player or document camera.
	Power Bar	The power bar has nine outlets, of which five are available
Load Capacity		150 lb. (68.0 kg)
Wireless Keyboard		U.S. English Windows® operating system with built-in trackball
Cable Cleats		External cleats for cable management
Warranty		Two-year limited equipment warranty

Audio System

Mixer		Unified audio system with line-level mixing of the selected computer and other connected audio sources
Amplifier		Amplifies the mixed audio; optimum for a room that's a maximum 1,000 square feet (93 square meters) with a 30-person capacity
Speakers		Two quality 4" (10.2 cm) diameter speakers for maximum audio clarity and performance

Interactive Pen Display Features

LCD Display	Screen	a-Si TFT active-matrix LCD display
	Resolution (70 Hz max.)	Native XGA (1024 × 768), scaled SVGA (800 × 600) and VGA (640 × 480)
	Resolution (75 Hz max.)	Scaled SVGA (800 × 600) and VGA (640 × 480)
	Pixel Pitch	0.012" × 0.012" (0.3 mm × 0.3 mm)
	Color Depth	24-bit color (16,777,216 colors)
	Viewing Angle	160° horizontal
	Signal Input/Output	Analog RGB HD DB15 (F)
Interactive Screen	Type	Electromagnetic technology
	Communication Interface	USB 1.1 (low speed)
Mounting Arm		Swivel, tilt or rotate the interactive pen display to a comfortable position with minimum glare and reflection, without the need of any adjustment tool
Power	Input Voltage	120V AC 60 Hz
	Power Consumption	40 Watts or less
Pen System	Stylus and Pen Tool Buttons	Battery-free stylus (with five extra tips) and push-button selectors to choose the active stylus tool
Function Buttons		Five function buttons: Right-Click, Floating Tools, Notebook Software, Screen Capture and Keyboard

Specifications – Model MP250

X-Port™ 40 Unit

4 × 1 RGB Video, Audio and USB Data Switch	Function	Using buttons on the control panel, a presenter can alternate between an internal computer, laptop and two other peripheral devices, such as a document camera
	Control Panel	The four buttons on the control panel allow you to switch the audio, RGB video and USB data between the four input devices
	Room Control	RS-232 connection to an external computer or controller enables switching control of the X-Port 40 unit

Laptop Connection Panel

AC Power Outlet	NEMA 5-15R	Supplies power to a guest laptop or another device
USB	USB-A cable	Connects a guest laptop to the X-Port 40 unit (which connects to the interactive pen display)
Audio	3.5 mm Stereo Mini-Plug	Connects a guest laptop to the cabinet's audio system
Video	RGB HD DB15 (M)	Connects a guest laptop's video output to the X-Port 40 unit (which connects to the interactive pen display)
Network	Cat 5e RJ-45	Connects a guest laptop to a local area network (if available)

Lectern Connection Panel

Network 1	Cat 5e RJ-45	Connects the internal computer to a local area network
Network 2	Cat 5e RJ-45	Connects a guest laptop to a local area network
RS-232 Control	RS-232 DB9 (M)	Connects the lectern to an external control system
DVD S-video	4-pin mini-DIN (F)	Connects a DVD player (if available) to an external display device
VCR Video	RCA (F)	Connects a VCR (if available) to an external display device
Symposium RGB	RGB HD DB15 (F)	Connects the lectern display to the Symposium interactive pen display

Cables Provided

DVD Player	S-video	Connects the video signal from the DVD player (if available) to the connection panel
	Dual RCA (M-M)	Connects the audio signal from the DVD player (if available) to the amplifier
VCR	RCA Composite Video (M-M)	Connects the video signal from the VCR (if available) to the connection panel
	Dual RCA (M-M)	Connects the audio signal from the VCR (if available) to the amplifier

Internal Computer Cables

Mouse/Keyboard	Two PS/2 (M-F)	Connects a mouse and a keyboard to the internal computer
Mouse/Keyboard	Two USB-A (M-F)	Connects a USB mouse and USB keyboard to the internal computer
USB	USB-A Cable	Connects the internal computer to the X-Port 40 unit (which connects to the interactive pen display)
Audio	3.5 mm Stereo Mini-Plug	Connects the internal computer to the cabinet's audio system
Video	RGB HD DB15 (M-M)	Connects the internal computer's video output to the X-Port 40 unit (which connects to the interactive pen display)
Network	Cat 5e RJ-45 (M-M)	Connects the internal computer to a local area network (if available)

Computer Requirements

Windows Operating Systems	Pentium 150 MHz processor (Pentium II processor or later recommended) 48 MB of RAM (128 MB recommended) Windows 98 operating system or later 35 MB of free hard disk space for minimum installation, 230 MB for complete installation with Gallery collections Available powered USB or serial port
Macintosh Computers	400 MHz processor (800 MHz or faster recommended) 128 MB of RAM (256 MB recommended) Mac OS X version 10.1.5 or later (with Java version 1.3.1 update 1 or later) 50 MB of free hard disk space for minimum installation, 115 MB for complete installation with Gallery collections Available powered USB port NOTE: SMART Board software is not compatible with versions 10.3.0, 10.3.1 or 10.3.2 of the Mac OS X operating system. To use the handwriting recognition feature, you must have Mac OS X version 10.3.3 or later.

Storage and Operating Specifications

Storage Operation	14°F to 140°F (-10°C to 60°C) with 20% to 90% humidity non-condensing 41°F to 95°F (5°C to 35°C) with 20% to 80% humidity non-condensing
--------------------------	---

SMART Order Number

MP250-CO-BLUE		Symposium MP250 interactive lectern in blue
MP250-CO-GREY		Symposium MP250 interactive lectern in grey
MP250-CO-AN		Symposium MP250 interactive lectern in light wood grain (American natural)
SEA-810	Flip-up shelf	Mounts to the side of the Symposium MP250 cabinet, providing additional work space
SEA-830	Base Kit	Replaces the casters with a permanent base

SMART Technologies Inc.

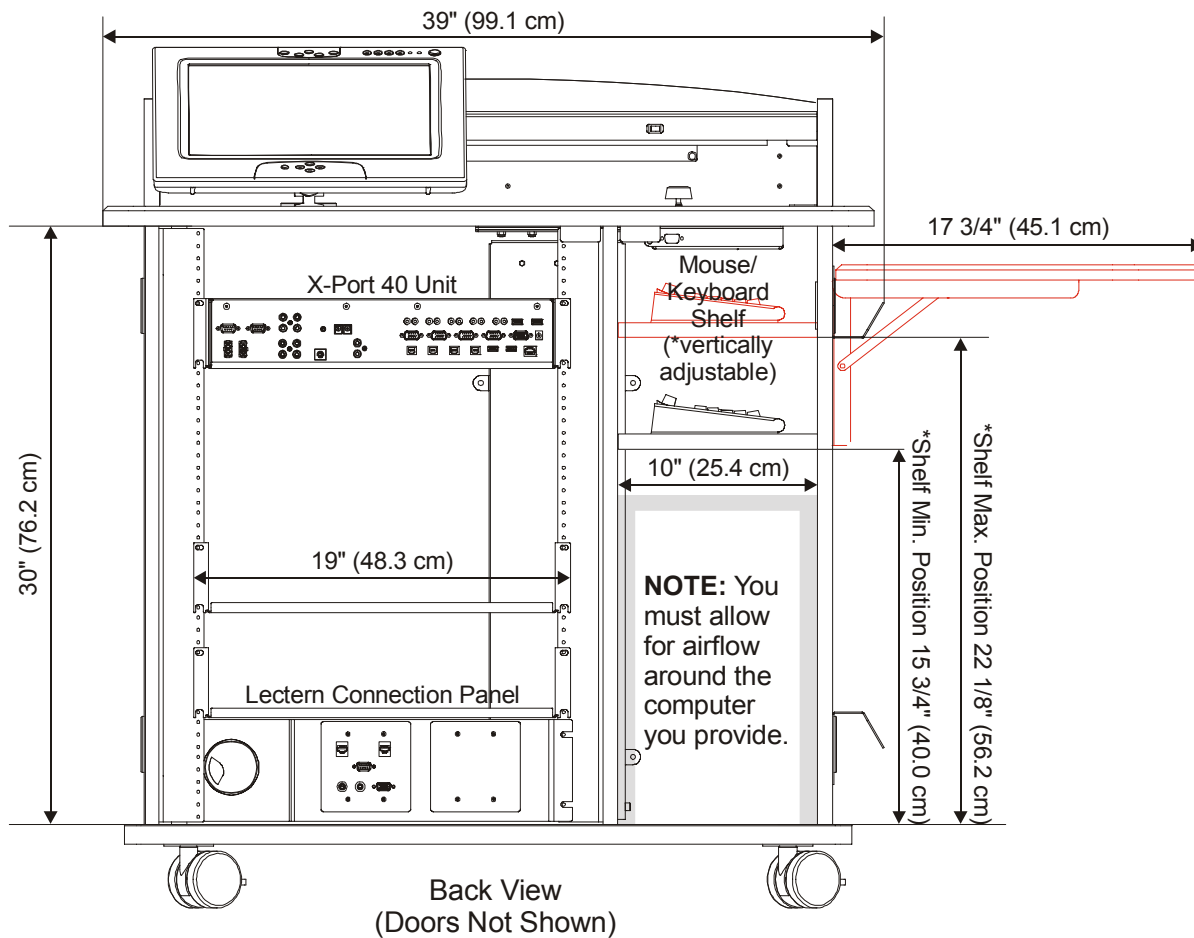
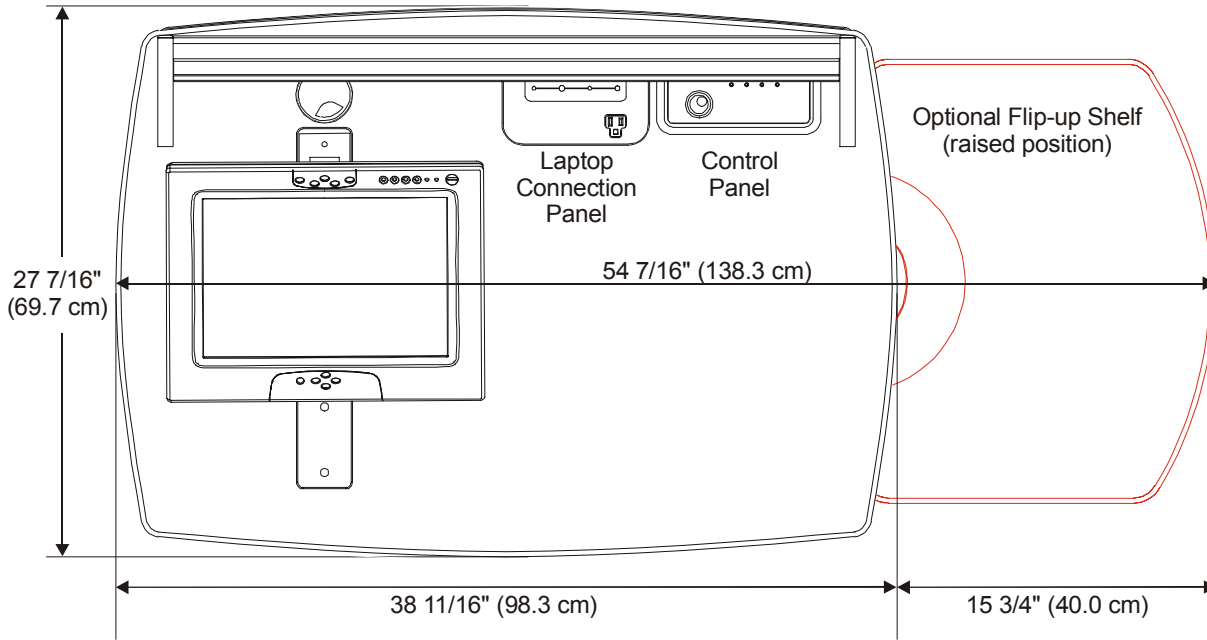
Suite 300, 1207 – 11th Avenue SW
Calgary, AB CANADA T3C 0M5
Main Switchboard: 1.888.42.SMART (Canada/U.S.) or +1.403.245.0333 (all other countries)
Support Tel: 1.866.518.6791 (Canada/U.S.) or +1.403.228.5940 (all other countries)
Support Fax: +1.403.806.1256
support@smarttech.com www.smarttech.com



Symposium™ Interactive Lectern

Specifications – MP250

Top View
(Optional Flip-up Shelf Raised)

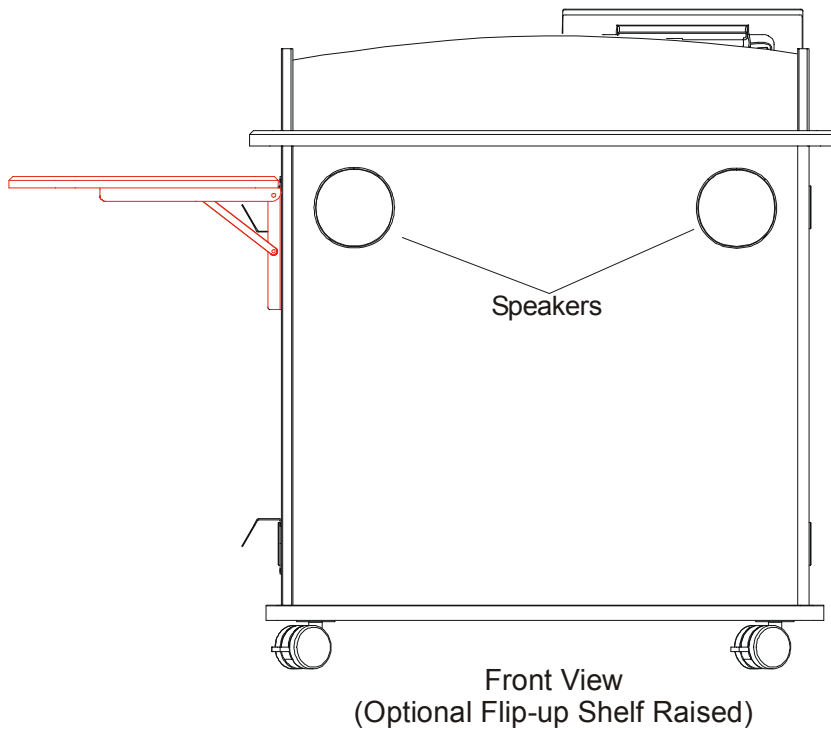
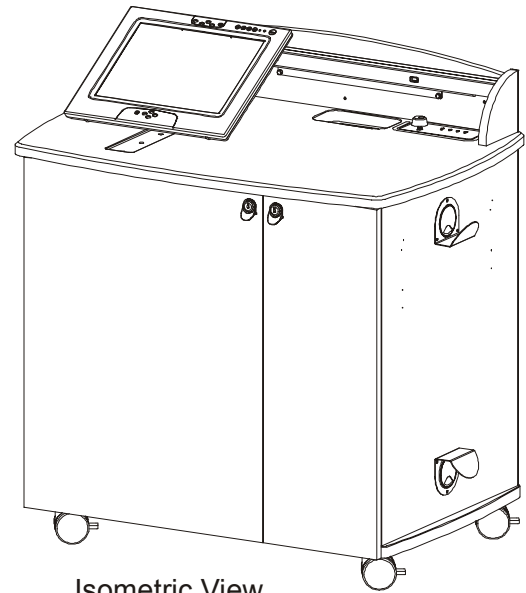
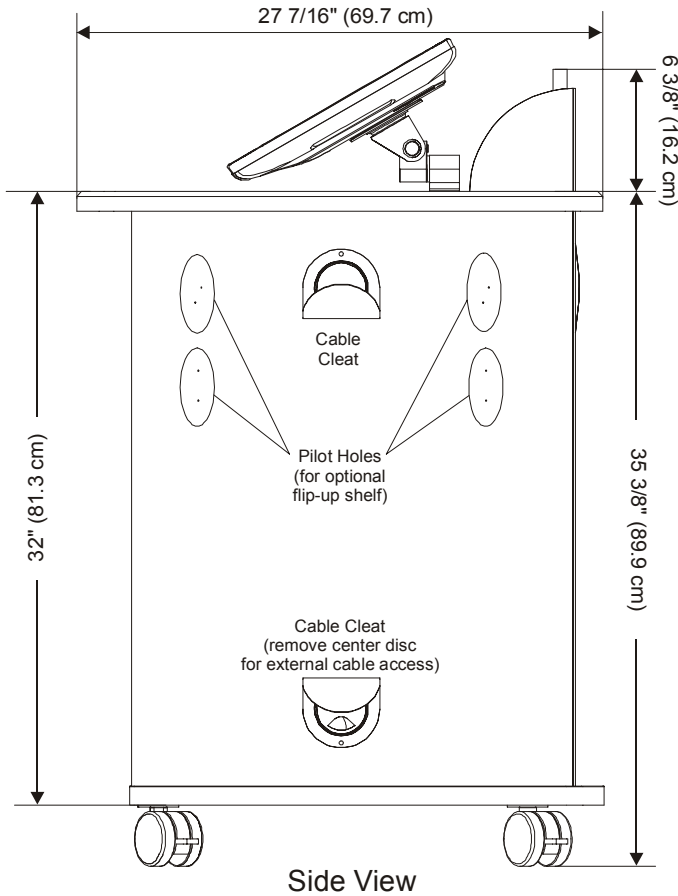


All dimensions are +/- 1/8" (0.3 cm)



Symposium™ Interactive Lectern

Specifications – MP250



All dimensions are +/- 1/8" (0.3 cm)

