

Symposium™ Interactive Lectern

Specifications – Model L250

Physical Specifications

Size	Lectern	59" W × 48" H × 29" D (149.9 cm × 121.9 cm × 73.7 cm)
	Interactive Screen	15" (38.1 cm) diagonal
	Working Surface	38" W × 21" D (96.5 cm × 53.3 cm)
	Equipment Drawer	20 3/4" W × 8 1/2" H × 26" D (52.7 cm × 21.6 cm × 66.0 cm)
	Top Shelf Storage	22 3/4" W × 9" H × 26" D (57.8 cm × 22.9 cm × 66.0 cm)
	Computer Compartment	13 1/4" W × 22" H × 22 3/4" D (33.7 cm × 55.9 cm × 57.8 cm)
		To prevent overheating, leave at least 1" (2.5 cm) of clearance at the top, front and sides of your computer as well as at least 3" (7.6 cm) of clearance for the computer's fan output. You also need at least 3" (7.6 cm) of space for the cable connections. For example, if your computer's fan and cable connections are at the back, your computer should be no bigger than 11 1/4" W × 21" H × 18 3/4" D (28.6 cm × 61.0 cm × 47.6 cm). If your computer's fan or cable connections are located elsewhere, reduce the space available in that location accordingly.
Weight	Lectern	315 lb. (143.2 kg)
Shipping Size		63" W × 57" H × 36" D (160.0 cm × 144.8 cm × 91.4 cm)
Shipping Weight	Lectern and Carton	475 lb. (215.9 kg)

All dimensions +/- 1/8" (3.2 mm). All weights +/- 2 lb. (0.9 kg).

Standard Lectern Features

Software		SMART Board™ software and Notebook™ software. Free software upgrades are available at www.smarttech.com/support/software/index.asp .
Cabinet Finishes		Standard finishes: light wood grain foil (American natural) or gray
Portability		Roll-about, self-contained unit with four 3" (7.6 cm) locking casters
Rack Mount Storage		Space for nine 19" W (48.3 cm) rack mount units
Security		Locking doors and access panels
Power	Input Voltage	120V AC, 60 Hz
	Power Consumption	45 W for the interactive pen display and 100 W, or less, for other electronics inside the lectern. This estimate does not include the internal computer, guest computer and other optional components, such as a VCR/DVD player or document camera.
	Power Bar	The 120V power bar has nine outlets, of which three are available for additional equipment
Load Capacity		150 lb. (68.0 kg)
Warranty		Two-year limited equipment warranty

Interactive Pen Display Features

LCD Display	Screen	a-Si TFT active-matrix LCD display
	Resolution (70 Hz max.)	Native XGA (1024 × 768), scaled SVGA (800 × 600) and VGA (640 × 480)
	Resolution (75 Hz max.)	Scaled SVGA (800 × 600) and VGA (640 × 480)
	Pixel Pitch	0.012" × 0.012" (0.3 mm × 0.3 mm)
	Color Depth	24-bit color (16,777,216 colors)
	Viewing Angle	Horizontal 120° and vertical 100° (typical)
	Input Video Signal	Analog 0.7 Vp-p positive at 75 ohms
Synchronization Range		Horizontal: 30 KHz–56.5 KHz. Vertical: 50 Hz–70 Hz NOTE: Some Macintosh computers transmit video signals outside the 50 Hz–70 Hz synchronization range. These models cannot be used with the Symposium interactive pen display.
Interactive Screen	Type	Electromagnetic technology
	Communication Interface	USB-B 1.1 (low speed)
LCD Mounting Arm		Swivel, tilt, raise or lower the interactive pen display to a comfortable, glare- and reflection-free position without using an adjustment tool
Power Supply	Input	100V–230V AC 60/50 Hz
	Output	12V DC, 3.3A
Power Management		VESA DPMS, Energy Star
Power Consumption	Normal Operation	< 45 W (LED glows blue)
	Off/Suspend/Standby Mode	< 5 W (LED glows blue/orange)
Pen Tool Buttons		Five buttons for controlling pen behavior: Left-Click, Eraser, and Black Ink, Blue Ink and Red Ink
Function Buttons		Five function buttons: Right-Click, Floating Tools, Notebook Software, Screen Capture and Keyboard
Pen		Battery-free, tethered pen with built-in holder
Pen Report Rate		100 points per second

Specifications – Model L250

X-Port™ 40 Unit

4 × 1 RGB Video, Audio and USB Data Switch	Function	Using buttons on the control panel, a presenter can alternate between an internal computer, laptop and two other peripheral devices, such as a document camera
	Control Panel	Four buttons on the control panel for switching between four peripheral devices for audio, RGB video and USB data input

Documentation

Symposium Integrator's Guide, Symposium Quick Connect Guide, Symposium User's Guide, SMART Board Software User's Guide. PDF files are available for download at www.smarttech.com/support.

Laptop Connection Panel

AC Power Outlet	NEMA 5-15R	Supplies power to a laptop or another device
USB	USB-A cable	Connects a laptop to the X-Port 40 unit (which connects to the interactive pen display)
Audio	3.5 mm Stereo Mini-Plug	Connects a laptop to the cabinet's audio system
Video	RGB HD DB15 M	Connects a laptop's video output to the X-Port 40 unit (which connects to the interactive pen display)
Network	Cat 5e RJ-45	Connects a laptop to a local area network (if available)

Lectern Connection Panel

Video Out	RGB HD DB15 F	Analog RGB (VGA) 0.7 Vp-p with separate synchronization signals. An HD DB15 port is available for connecting a projector.
	S-video	An S-video pass-through connector is provided on the connection panel. The lectern switching electronics do not natively support S-video, but you can modify the lectern to support S-video or to feed an S-video signal from a VCR/DVD player to a projector. NOTE: S-video cables are not provided.
Network	RJ45 F	Two ports for connecting an internal computer and a guest computer to a LAN
Audio Out	Two XLR-3 M	Left and right outputs for connecting an external sound system Level: Fly gain input of -10 dbu to +4 dbu into 10K ohms or 600 ohms
Microphone	XLR-3 M	There are two microphone connectors: one on the lectern connection panel for connecting the microphone to your external sound system and one on the Control Panel (on the top of the lectern) for the actual microphone. This microphone is not provided.

Cables Provided

Internal Computer	Video	RGB HD DB15 M
	Audio	3.5 mm mini stereo plug
	Keyboard	PS/2 F
	Mouse	PS/2 F
	USB	USB-A M
	Network	RJ-45 M
	Power	IEC
Guest Computer	Video	RGB HD DB15 M
	Audio	3.5 mm mini stereo plug
	USB	USB-A M
	Network	RJ-45 M
	Power	North American receptacle (NEMA)
Peripheral Devices	(Document Camera or VCR/DVD Player)	
	Video	RGB HD DB15
	Power	North American receptacle

Storage and Operating Specifications

Storage	14°F to 140°F (-10°C to 60°C) with 20% to 90% humidity non-condensing
Operation	41°F to 90°F (5°C to 32°C) with 20% to 80% humidity non-condensing

Specifications – Model L250

Computer Requirements

Windows® Operating Systems

Pentium® 150 MHz processor (450 MHz or faster recommended)
128 MB of RAM (256 MB recommended)
Available powered USB or serial port
Approximately 160 MB of free hard disk space for full installation
Windows NT® 4.0 (SP6), Windows 98 operating system or later
Microsoft Internet Explorer 5.0 or later
Macromedia® Flash® player version 7.0.19 or later (recommended)

Requirements for SMART Video Player

Pentium 450 MHz processor (700 MHz or faster recommended)
Windows 98 operating system or later. Does not run on the Windows NT operating system.
Microsoft DirectX® 8.1 End-User Runtime or later

Macintosh Computers

400 MHz processor (800 MHz or faster recommended)
128 MB of RAM (256 MB recommended)
Mac OS X version 10.1.5 or later (with Java™ version 1.3.1 update 1 or later)
50 MB of free hard disk space for minimum installation, 115 MB for full installation with Gallery collections
Available powered USB port

NOTE: SMART Board software is not compatible with versions 10.3.0, 10.3.1 or 10.3.2 of the Mac OS X operating system. To use the handwriting recognition feature, you must have Mac OS X version 10.3.3 or later.

SMART Order Number

SSL-250

Symposium L250 interactive lectern

SSL-250-CO-AN

Symposium L250 interactive lectern in light wood grain foil (American natural)

SSL-250-CO-GRAY

Symposium L250 interactive lectern in gray

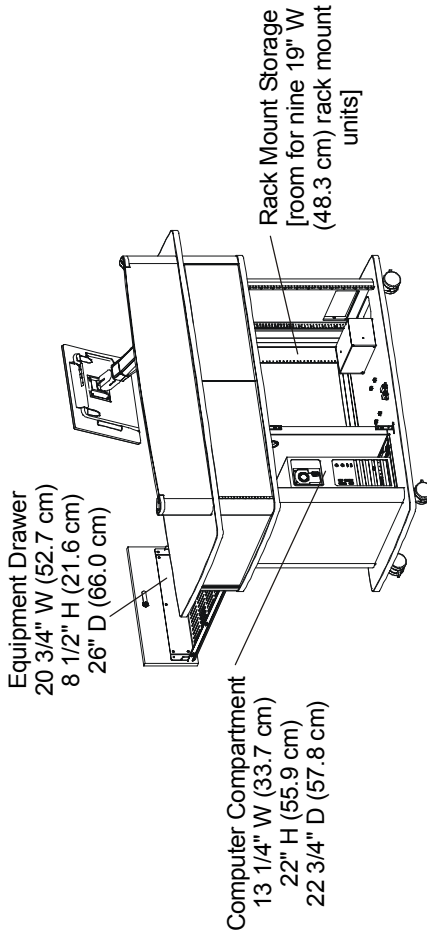
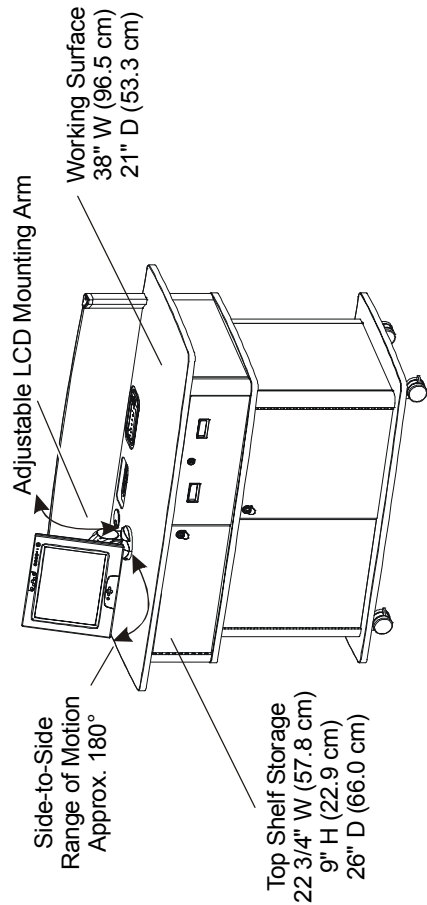
SMART Technologies Inc.

Suite 300, 1207 – 11th Avenue SW
Calgary, AB CANADA T3C 0M5
Main Switchboard: 1.888.42.SMART (Canada/U.S.) or +1.403.245.0333 (all other countries)
Support Tel: 1.866.518.6791 (Canada/U.S.) or +1.403.228.5940 (all other countries)
Support Fax: +1.403.806.1256
support@smarttech.com www.smarttech.com

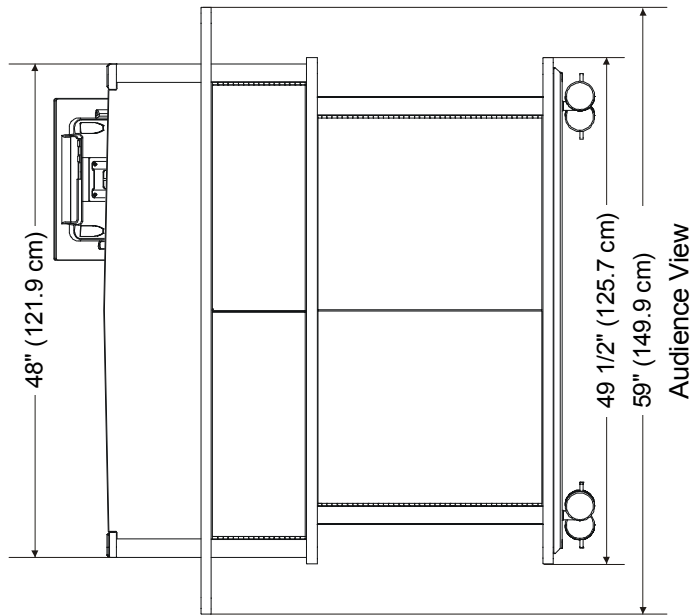


Symposium Interactive Lectern

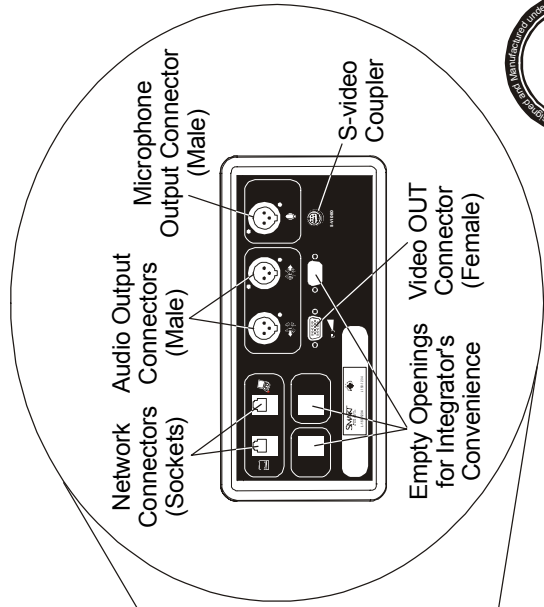
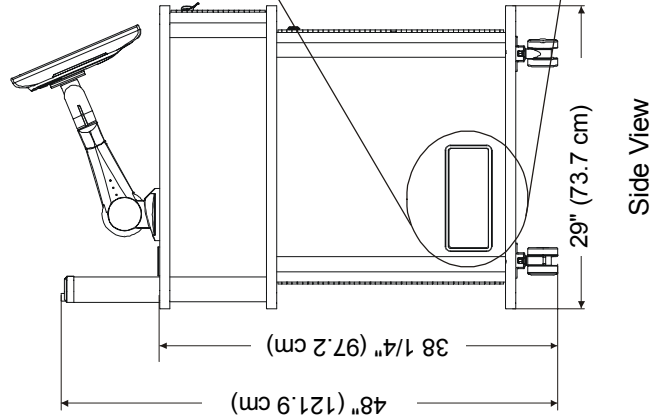
Specifications – Model L250



Presenter View



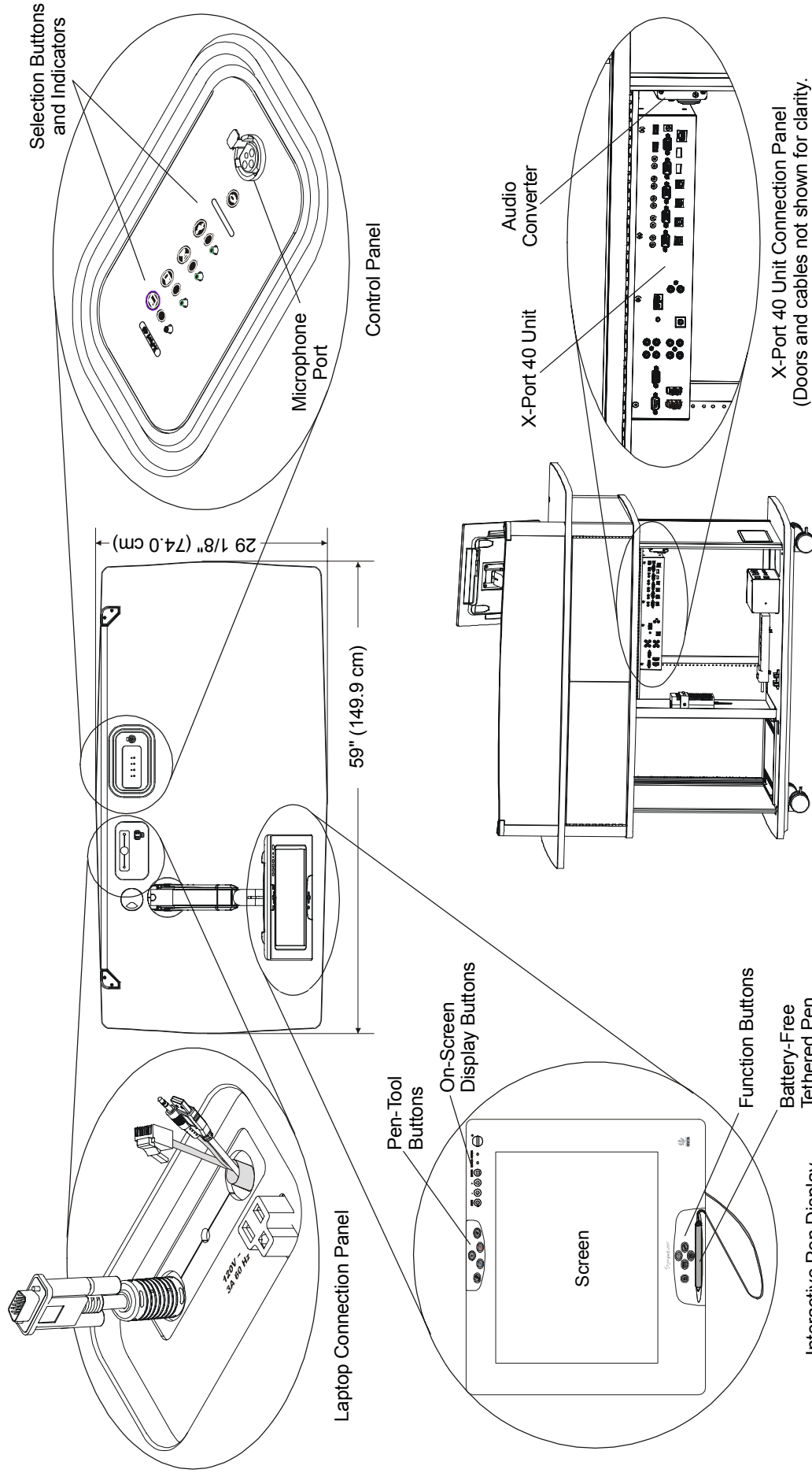
Audience View
(Doors not shown for clarity)



All dimensions +/- 1/8" (0.3 cm).

Symposium Interactive Lectern

Specifications – Model L250



All dimensions +/- 1/8" (0.3 cm).