

Image Capturing Systems

CopyCam®

Connect
Copy
Communicate



CopyCam E Control Panel



CopyCam Pro Control Panel



Wireless printer (included with system)

Elevate group dynamics to a new dimension with CopyCam Solutions.

Collaborate Spontaneously

Small workgroups often yield big ideas, so no one wants to slow down idea generation with tedious note-taking. CopyCam Image Capturing System radically improves the efficiency of the idea generation process by transforming standard whiteboards into active copyboards. "Spontaneous collaboration" no longer requires pre-planning.

Capture Brilliance in a Snap

Allow ideas to flow freely without the worry of missing vital information. Simply write the way you would on any standard whiteboard; the intuitive control panel offers you the ability to save images to an internal digital archive on the LAN, save to a floppy disk, or print to a

wireless printer all at the touch of a button.

Give Me One Button

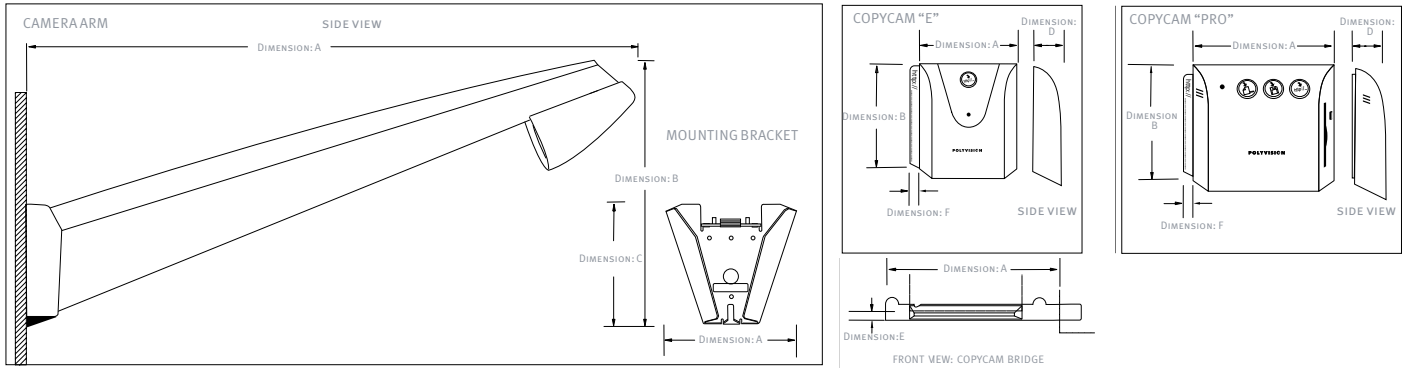
Sometimes you just need to save it, but that doesn't mean you have to give up spontaneity. CopyCam E Image Capturing System offers the same benefits as CopyCam Pro, with a simplified (one button) control pad. When you're ready to capture your brilliance to the archive, just hit the button to capture in full color.

One-Click Publishing

Add a RoomWizard Room Scheduling System and instantly turn CopyCam into an emailer of notes. RoomWizard knows who's in the room and mails the notes to all attendees of our meeting.

CopyCam Image Capturing System:
Capture ideas instantly.

POLYVISION®
A Steelcase Company



	CopyCam "E"	CopyCam "Pro"	Camera Arm	Mounting Bracket	Control Panel Bridge (E)	Control Panel Bridge (PRO)
Dimension A (Width)	4.62 inches (11.73cm)	7.87 inches (19.99cm)	38 inches (96.52cm)	7.5 inches (19.05cm)		
Dimension B (Height)	5.75 inches (14.6cm)	6.12 inches (15.54cm)	13.5 inches (34.29cm)			
Dimension C (Bracket Height)				6 inches (15.24cm)		
Dimension D (Depth)	1.62 inches (4.11cm)	1.75 inches (4.45cm)			8.62 inches (21.86cm)	11.87 inches (30.15cm)
Dimension E					.5 inch (1.27cm)	.5 inch (1.27cm)
Dimension F	.5 inch (1.27cm)	.5 inch (1.27cm)				

System Features

Camera Arm

- 3.5 megapixels resolution
- Captures line drawings and writing in any color
- Enhances contrast for crystal clear copies
- Automatically crops copies to board borders
- Jacks for power, LAN, and control pad

Control Pad

CopyCam Pro System:

- 3-button interface allows direct capture to printer, diskette, or built-in Web server
- Weighs less than 2 lbs (.75kg)
- Voice prompts and 3-color LED provide status

CopyCam E System:

- 1-button interface allows direct capture to web server
- Weighs less than 1 lbs (.375kg)
- Voice prompts and 3-color LED provide status

Printer

- Wireless Bluetooth-enabled color printer included
- Printer operates up to 25' (7.62m) from camera arm

Floppy Diskette Drive

- Writes images to a standard IBM PC 3.5" formatted HD diskette
- Each diskette holds 10 images

Built-in Web Server

- Holds approximately 40 images
- Can be accessed from anywhere on a LAN using standard web browser
- Images are retained even when power loss is experienced
- Supports fixed IP addressing or DHCP protocol

Power Requirements

120V/240V, 50-60hz, 12W

Certification

FCC, CE, VCCI, Bluetooth Certified

Warranty

- One year limited warranty
- Extended warranties available

Accessories (Included)

- User's guide
- Installation Manual
- Mounting templates
- Power adapter with 15' (4.6m) cord
- 15' (4.6m) 100-baseT Ethernet cable
- 10' (3.04m) cable from arm to control pad
- 24' (7.32m) of cable raceway in 4' (1.22m) sections
- "Tilt-up" mounting bracket for camera arm
- Wireless Bluetooth enabled color printer

Writing Surface Options

- Compatible with any marker or chalk board up to 48" high x 96" wide (1200mm x 2400mm)
- For a sleek look with cable management capabilities, combine your CopyCam System with PolyVision's Commercial Series markerboards

Authorized PolyVision Dealer

PolyVision Corporation
1.800.620.POLY
info@polyvision.com
www.polyvision.com

POLYVISION
A Steelcase Company